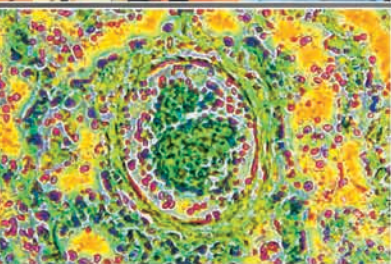


# IK-HR1D

ULTRA COMPACT 1080p/60 FPS  
CMOS HD CAMERA



## Features

- Ultra compact (approx 1.75" x 1.75" x 3") one-piece system
- Outputs full 1920 x 1080 pixels at 60 frames per second
- Output selectable between 1080p and 1080i
- Utilizes 1/3" CMOS 2.1 megapixel sensor
- On-screen menu
- Weighs only 4.3 oz. (without lens)
- Digital DVI and Analog RGB interface
- Auto and manual white balance
- Auto and manual electronic shutter
- C-mount lens ready

## Applications

- Scientific imaging /diagnostics
- Microscopy
- Industrial

## True 1080p One-Piece CMOS High Definition Camera.

Toshiba's revolutionary new IK-HR1D CMOS-based hi-def color camera delivers true progressive scan imagery – from a compact, one-piece camera body. It is ideal for imaging objects in motion, with little or no motion artifacts. Get incredibly sharp detail in a convenient, flexible system. Let Toshiba bring your project to HD life.

**TOSHIBA**  
Leading Innovation >>>  
Imaging Systems Division

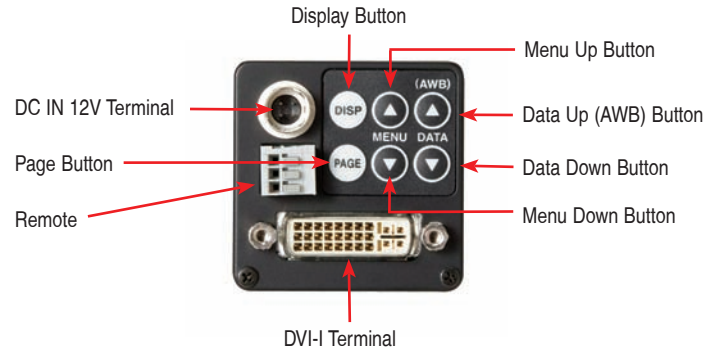
# IK-HR1D TRUE 1080p Hi-Def CAMERA

## SPECIFICATION - FEATURES

Power Requirements	12 VDC ± 10% DCIN connector (4pin)
Power Consumption	Approx. 4 watts
Image Sensor	1/3" progressive scan CMOS
Output Pixels	Horizontal: 1920, Vertical: 1080
Scanning System Sync / Freq	Progressive (1080p)/Interlace (1080i) Switchable [Progressive (1080p)] - H:67.5kHz, V:60Hz [Interlace (1080i)] - H:33.75kHz, V:60Hz
Sensitivity	f/4 standard (2000 lux, 3000K)
Min. Illumination	8 lux standard (50 IRE, f1.4, gain + 18 dB)
Frame Rate	30 fps (1080i), 60 fps (1080p)
Video Signal Output	Digital output (DVI-I connector output) 8bit X RGB Analog output (DVI-I connector output)
Sync. System	Analog output (DVI-I connector output) H: 5V + 0.5V/1.0V (p) V: 5V + 0.5V/-1.0V (p)
Dimensions	44(W) x 44(H) x 78(D) mm (1.73"(W) x 1.73"(H) x 3.07"(D)) (excluding protrusions)
Weight	146g (0.322 lbs.)
Operating Temperature	0° C to + 40° C (32° F to 104° F)
Storage Temperature	-20° C to + 60° C (-4° F to 140° F)
Humidity	90% or less (non-condensing)

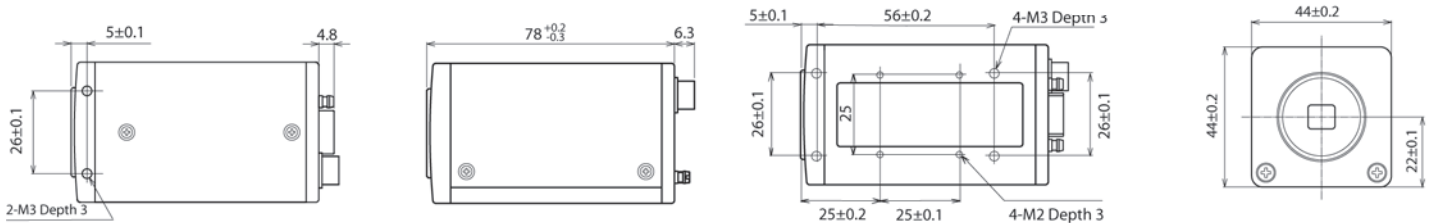
Shutter	Manual – Off (1/60s, 1/100s, 1/250s, 1/500s, 1/1000s, 1/2000s, 1/4000s, 1/8000s, 1/16000s, 1/32000s) Auto Level – range of -100 to 100 Synchronized Scan – Set by horizontal scanning time
Gain	MANUAL (0dB to 12dB), OFF (0dB)
White Balance	AWB (Automatic White Balance) ATW (Automatic Tracking White Balance) Manual (Manually Adjustable)
Gamma	OFF / MANUAL (-10 to +10)
Scene File Setting	5 Files A/B/C/D/E
Remote Control	RS-232C: Baud rate 9600bps/19200bps

Design and specifications are subject to change without notice.



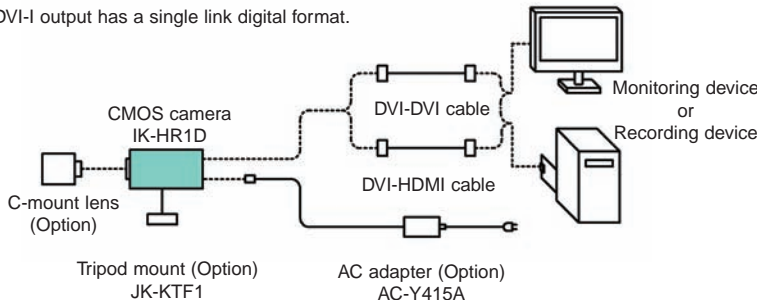
## DIMENSIONS

Measurements in Millimeters



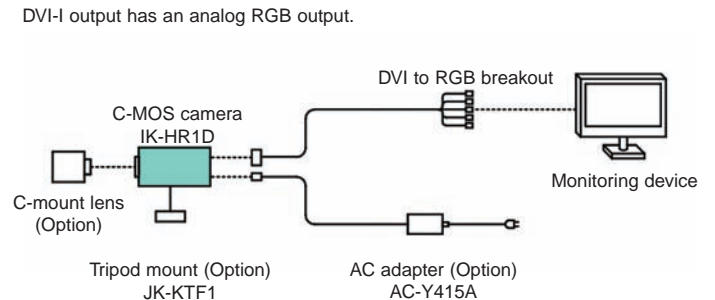
## CONNECTIONS FOR DIGITAL MONITORING/RECORDING

DVI-I output has a single link digital format.



## CONNECTIONS FOR ANALOG MONITORING

DVI-I output has an analog RGB output.



**TOSHIBA**  
Leading Innovation >>>

© 2008-2014 Toshiba America Information Systems, Inc. All rights reserved. All products and names mentioned are the property of their respective owners. While Toshiba has made every effort at the time of publication to ensure the accuracy of the information provided herein, product specifications, configurations, prices, system/component/options availability are all subject to change without notice.

This Class A digital apparatus complies with Canadian ICES-003.

Toshiba America Information Systems, Inc.  
Imaging Systems Division  
9740 Irvine Boulevard, Irvine, California 92618  
877-595-4425 • www.cameras.toshiba.com

REFER TO OUR WEBSITE FOR THE LATEST UPDATES.

IKHR1D 05-14 v2